

10EN-CB SERIES - 1/2 HP

APPLICATIONS

Dewatering and light effluent wastewater removal

FEATURES

- 1/2 hp PSC motor with thermal overload protection
- Energy saving low amp draw
- Cooler running motor which extends the life of the pump
- Cast bronze housing with polypropylene base
- Brass screws, stainless steel bolts and handle
- Mechanical seals (stainless steel spring, nitrile parts, carbon and ceramic faces)
- Upper and lower sintered sleeve bearings
- 1-1/2" FNPT discharge
- Handles liquid and solid waste materials up to 1/2" diameter
- Available in manual or automatic operation:
 - Integral snap-action float switch
 - On Level 7" - 10"
 - Off Level 2" - 5"
- Fully submersible



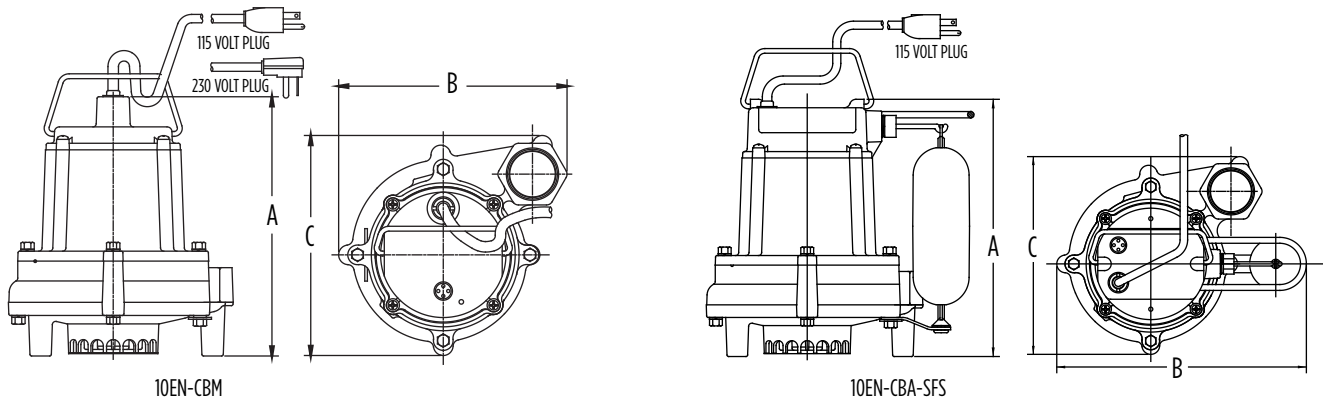
SERIES SPECIFICATIONS

Item No.	Model No.	HP	Volts	Solids Size (dia. in)	Running Amps/Watts	Performance (GPM @ Head)				Shut-Off		Cord Length (ft)	Weight
						5'	10'	15'	20'	Ft	PSI		
511341	10EN-CBM	1/2	115	1/2"	8/850	67	61	50	40	30	13	10	29 lbs 13.1 kg
511342	10EN-CBA-SFS	1/2	115	1/2"	8/850	67	61	50	40	30	13	10	29.2 lbs 13.2 kg
511343	10EN-CBA-SFS	1/2	115	1/2"	8/850	67	61	50	40	30	13	20	32.5 lbs 14.7 kg

EFFLUENT PUMPS

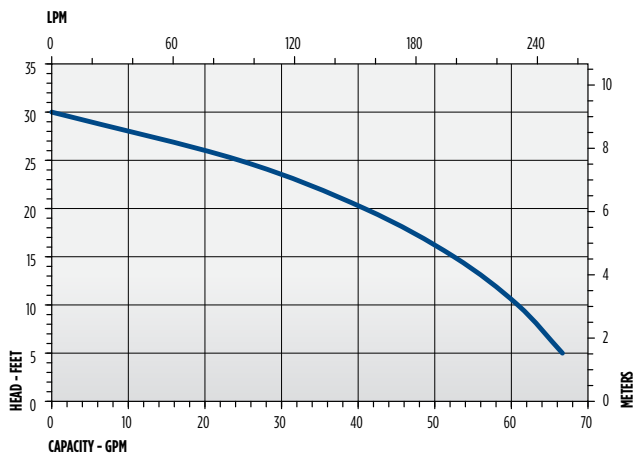
10EN-CB SERIES - 1/2 HP

ENGINEERING DATA



Model	A	B	C
10EN-CBM	9.8" 24.89 cm	8.7" 22.1 cm	8.3" 21.08 cm
10EN-CBA-SFS	10.18" 25.86 cm	10.6" 26.92 cm	8.39" 21.31 cm

PERFORMANCE DATA



CONSTRUCTION

Cover	Polycarbonate
Motor Housing	Cast bronze
Impeller Material	Nylon
Volute	Cast bronze/polypropylene
Power Cord	SJTW
Mechanical Shaft Seal	Nitrile with carbon and ceramic faces
Fasteners	Brass, stainless steel
Shaft	Cold-rolled steel
Bearings	Upper and lower sintered sleeve bearings
Power Cord	SJTW **SJTOW